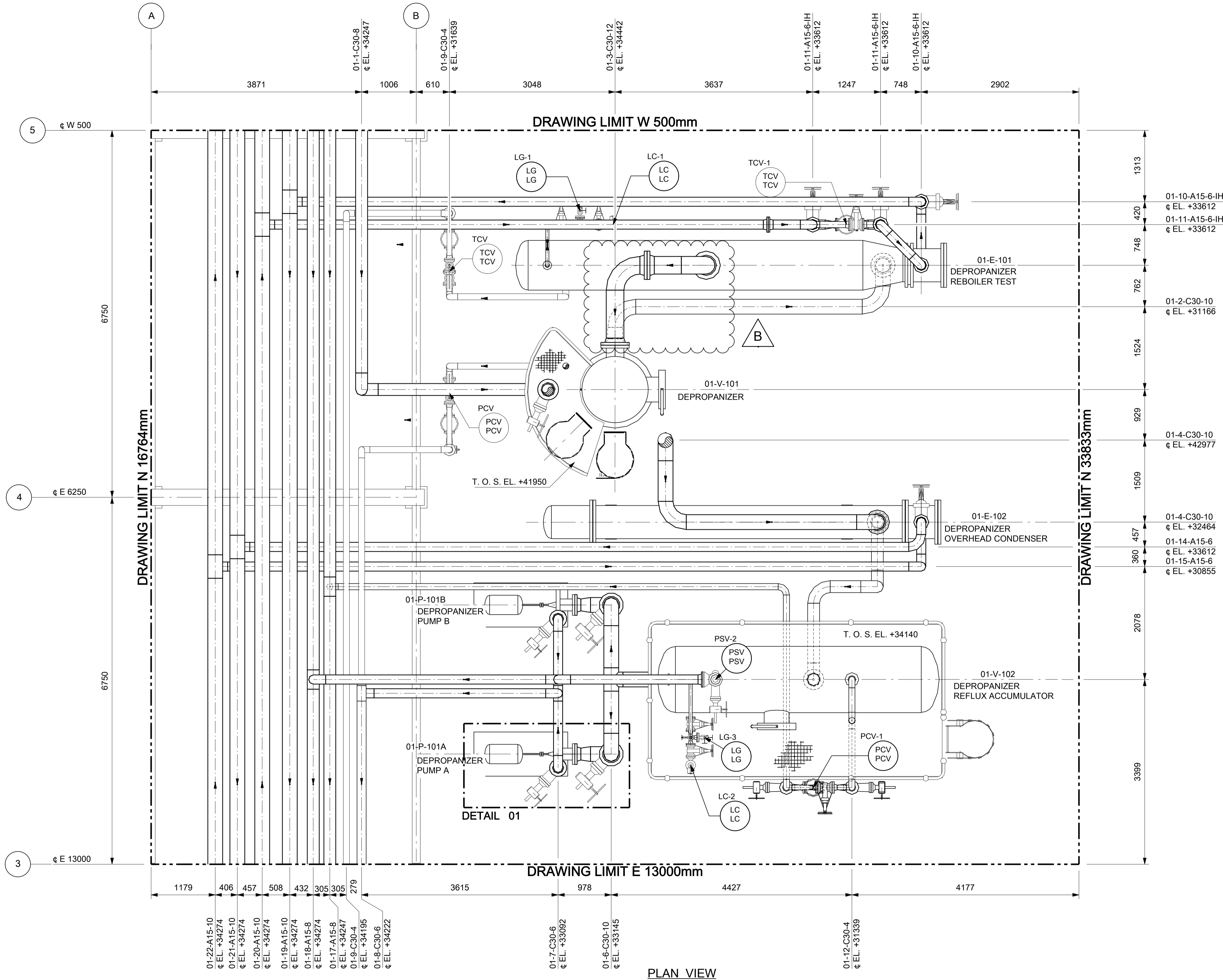
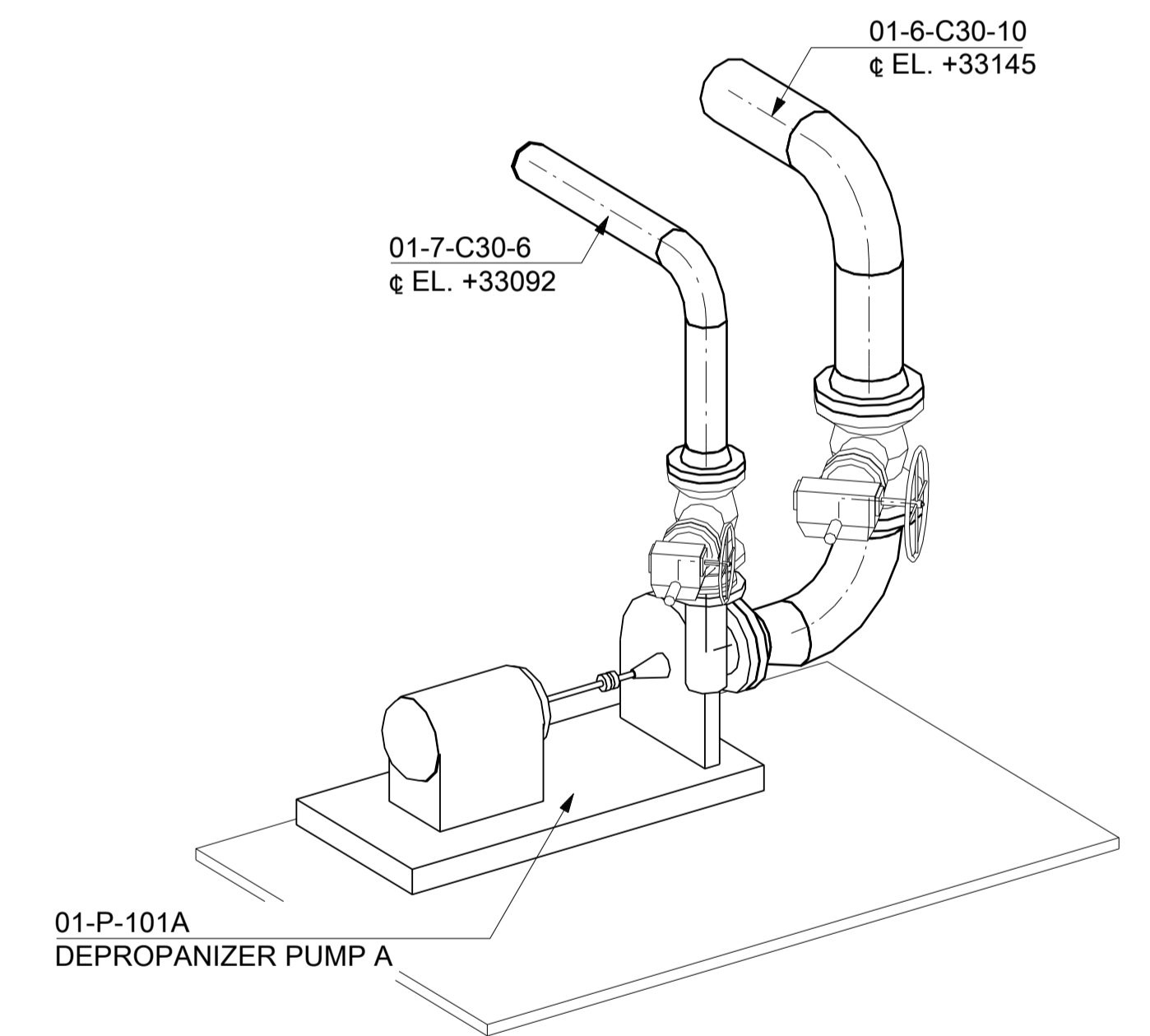


KEYPLAN



PLAN VIEW



DETAIL 01
1 : 25



SCALE 1:33.3

The document and design it covers is the sole PORECT HOLD. It is provided on the expressed understanding that it will not be transmitted, reproduced, or disclosed to any person, company, association or otherwise, unless expressly approved by PROJECT HOLD in writing.

No.		REV.	DRAWING No.	TITLE

CONTRACT No : 902881				WORK ORDER No.			
REVISIONS	B	ENG	29 Sep 2015	TRAINING COMPLETED			
	A	ENG	26 Sep 2015	PROJECT TRAIN - FOR CHECK			
	REV	STATUS	ISSUE DATE	PURPOSE FOR ISSUE			

CAD	CHK	CHK	PRJ	DATE : _____
CAD	CHK	CHK	PRJ	
DRFT'G	CHECKED	ENG. APP'D	PROJ. APP'D	
CONTRACTOR APPROVALS				CLIENT APPROVALS

PROJECT TITLE : Development Project - HOLD

PROJECT HOLD

TITLE		REV. B
PIPING PLAN PIPING PLAN GENERAL ARRANGEMENT		
SCALE	DRAWING No. DRAFT-TRAINING-PIPING-GA-01	

CAD FILE NAME
OLD DRAWING NO