

MTO Table						
POS	QUANTITY	UNITS	BORE	DESCRIPTION	BUILD	MATERIAL
1	299mm	mm	300mm	PIPE BE SEAMLESS ASME B36.10	299mm	HOLD FOR PROJECT SCH / MATERIAL
2	883mm	mm	300mm	PIPE BE SEAMLESS ASME B36.10	883mm	HOLD FOR PROJECT SCH / MATERIAL
3	1	Pieces	300mm	FLANGE WN #300 RF ASME B16.5	130mm	HOLD FOR PROJECT SCH / MATERIAL
4	1	Pieces	300mm	PIPE BE SEAMLESS ASME B36.10	130mm	HOLD FOR PROJECT SCH / MATERIAL
5	1	Pieces	300mm	ELBOW 90 LR BW SEAMLESS ASME B16.9	718mm	HOLD FOR PROJECT SCH / MATERIAL
6	1	Pieces	300mm	PIPE BE SEAMLESS ASME B36.10	718mm	HOLD FOR PROJECT SCH / MATERIAL
7	1	Pieces	300mm	FLANGE WN #300 RF ASME B16.5	130mm	HOLD FOR PROJECT SCH / MATERIAL

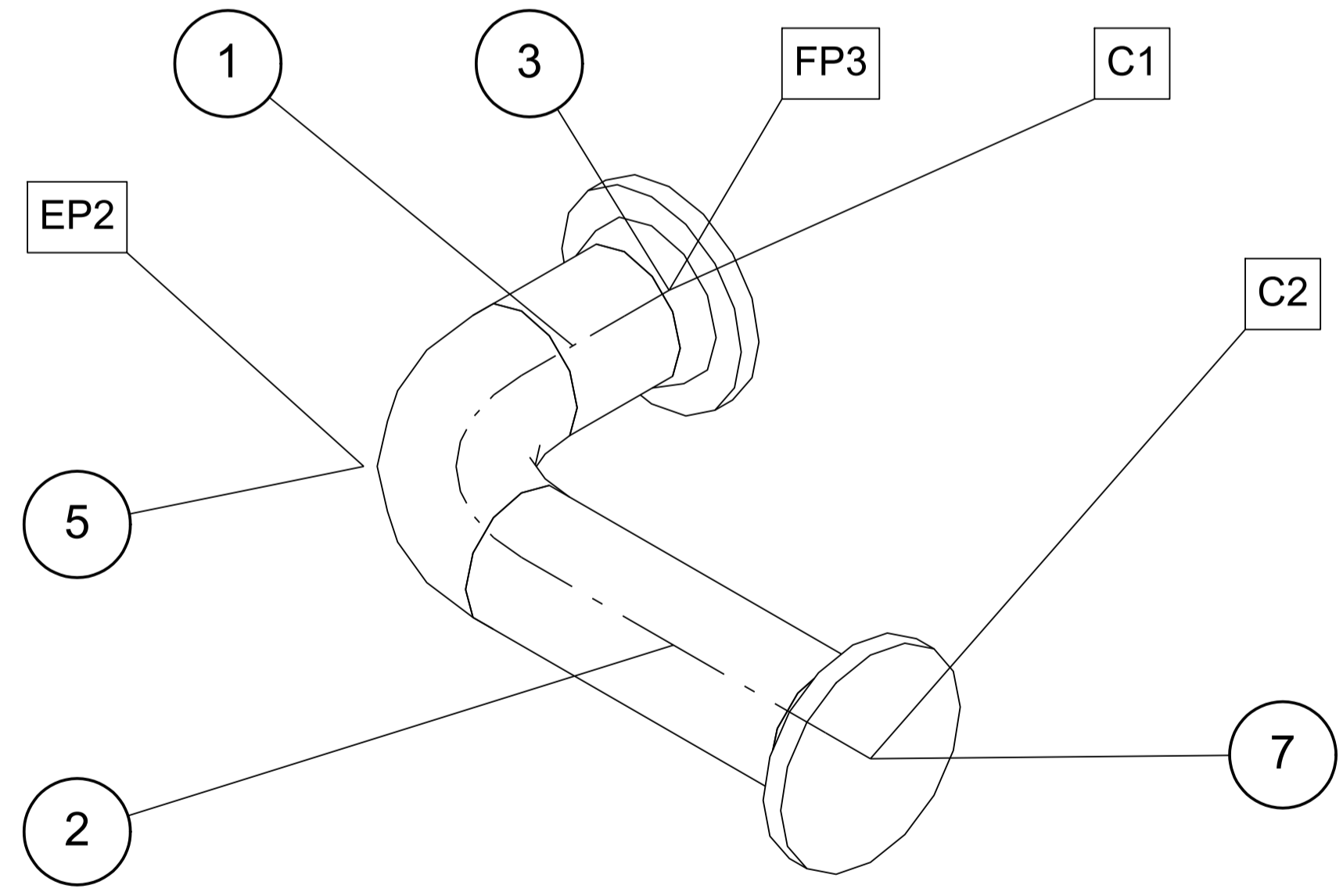
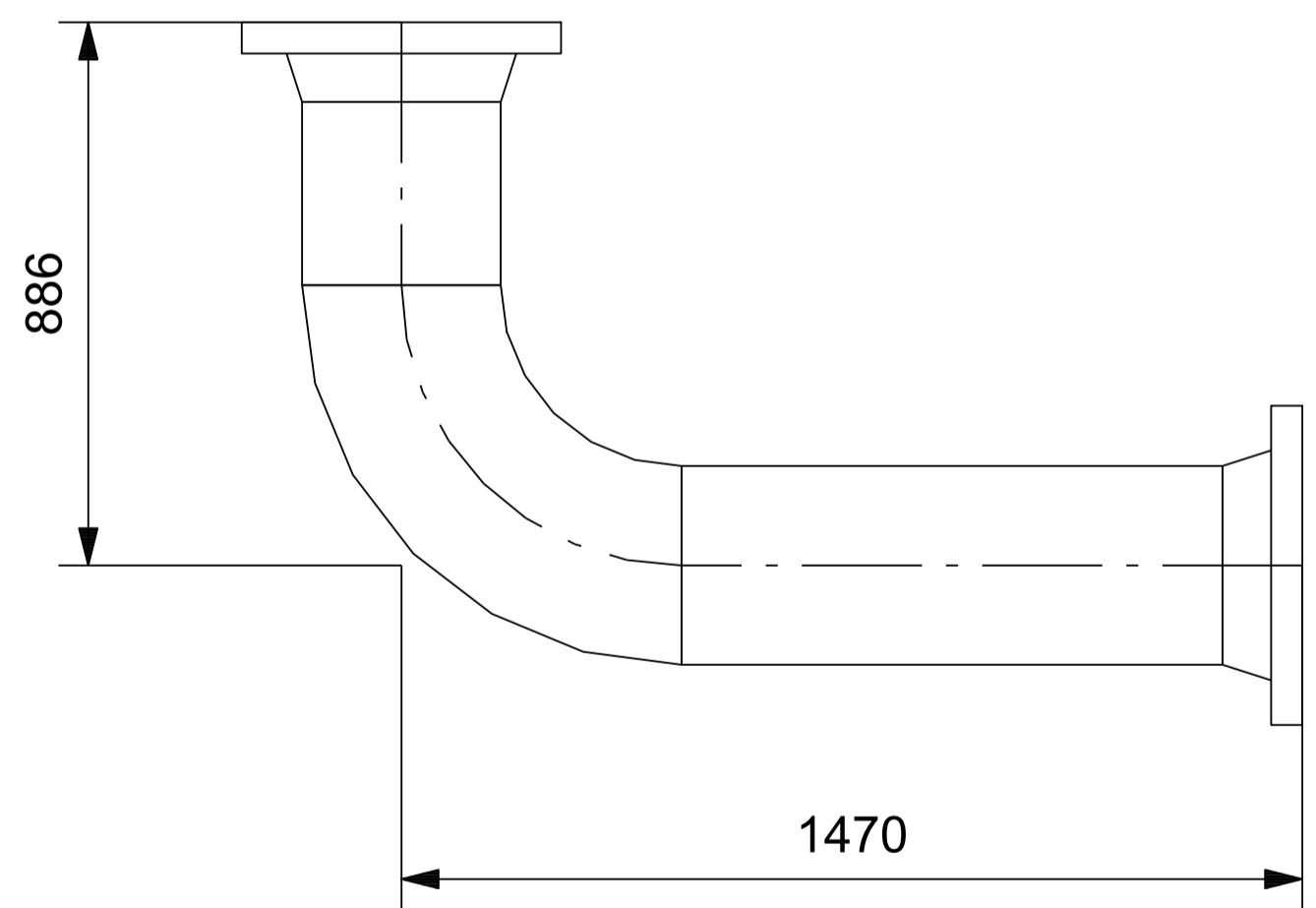
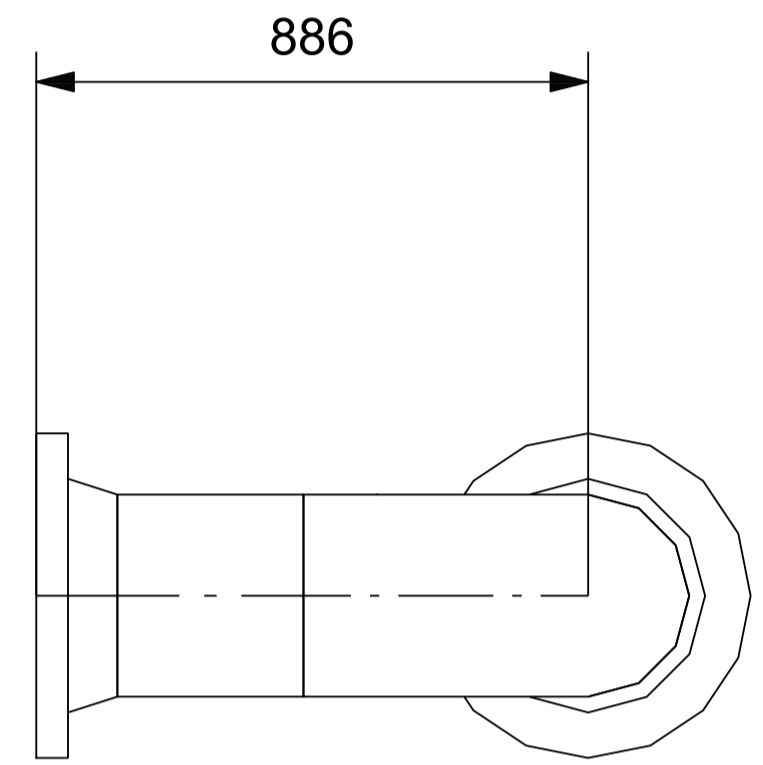
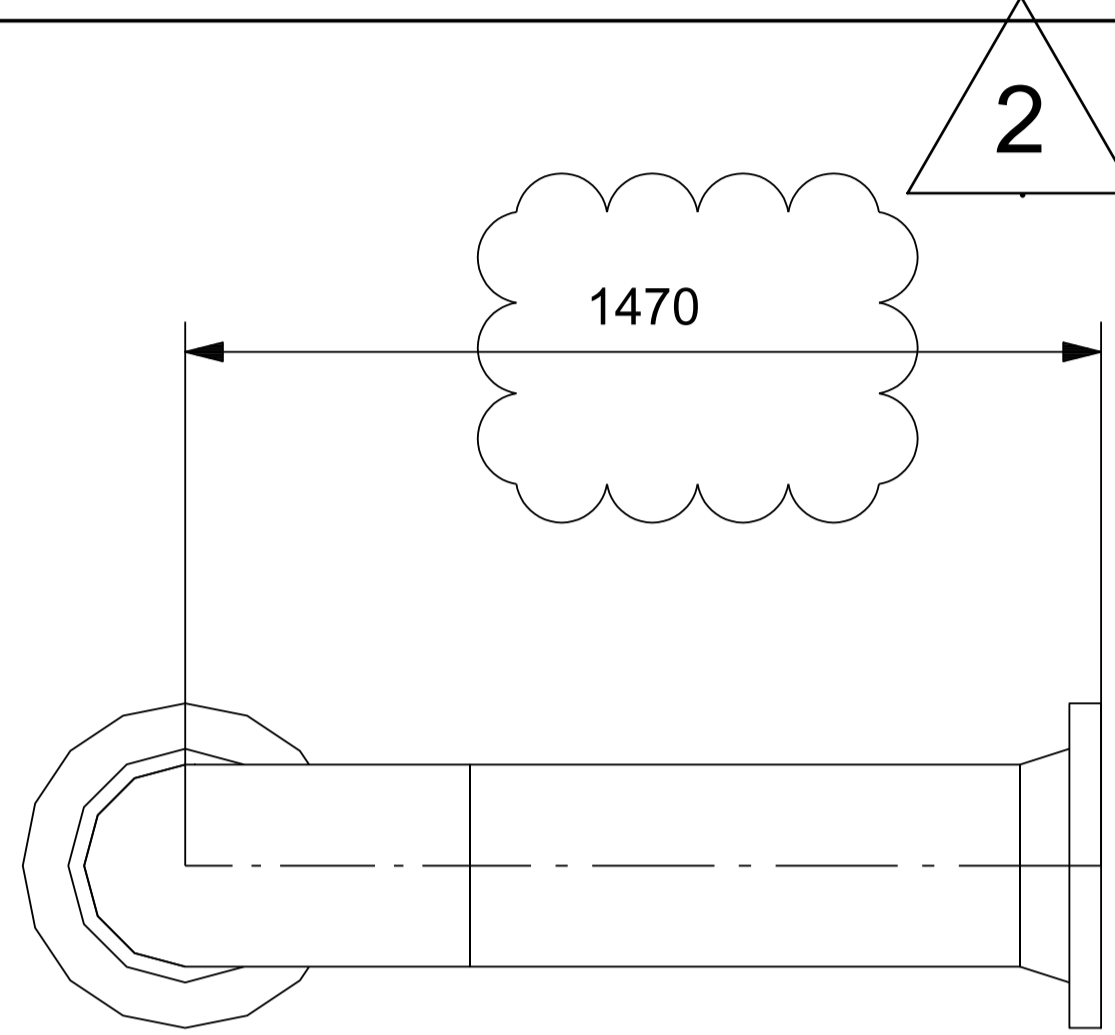
POS	ROTATE	INCL	TURN	REMARKS
7	0	---	---	EP2
5	---	---	91.57	FP3
3	0	---	---	EP2

Assembly Table

End Points	X	Y	Z
C2	3451mm	25298mm	34442mm
C1	1981mm	26184mm	34442mm

POS	POS	Angle

Welding Table



NOTES

REFERENCE DRAWINGS	REV	DESCRIPTION	DATE	BY	CHK	LEAD	APP

TITLE	DRAWING NUMBER	REVISION
Pipe Sketch - Spool PDTRN-01-3-C30-12-PS02	PDTRN-01-3-C30-12-PS02	